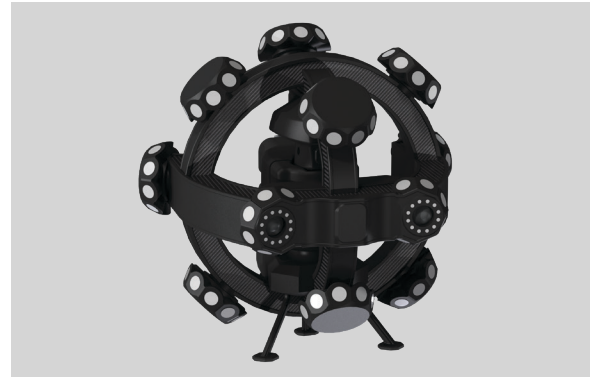


3i-FLEX[™]

3D LASER SCANNING FOR ANY ROBOT

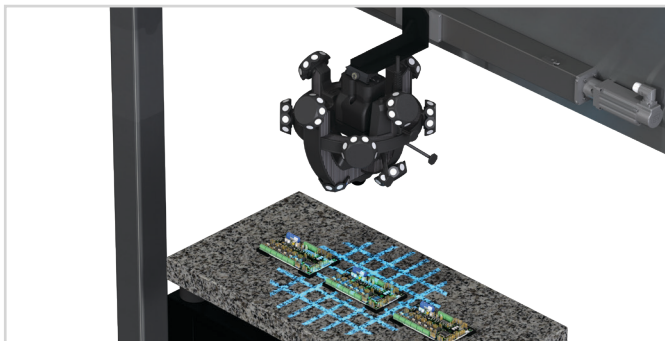
This stand-alone scanner kit can be used manually or mounted onto any motion system, including any robot. Optional mounting brackets are available. Add the power of MAS automated metrology to your existing system to get the benefits of automated metrology quickly. This package is perfect for systems integrators.



SCANNING WIDTH	15.748" (400 mm)
DATA RESOLUTION	0.0079" (20 μm)
SYSTEM ACCURACY	0.00252 (64 μm)

INCLUDES

- MAS 3i-FLEX[™] laser scanner and tracker
- PC with MAS S-Series Analyzer software
- 4k monitor
- Optional mounting bracket



FEATURES

- Easy integration with other equipment
- Accurate scanning with any motion platform
- Can also be used manually
- Equipped with our S-Series Analyzer Software
 - Single interface for motion control, data capture, analysis, and reporting.
 - Automate measurements with recipes
 - CAD comparison
 - GD&T measurement tools
 - Expandable functions with custom add-ins

SCHEDULE A DISCOVERY MEETING TO LEARN MORE



Talk to an engineer about your measurement challenges and find out how S-Series and MAS can help you improve your quality.

Additional specs and product configurator available at:

mfgautosys.com/s-series

(607) 236-1300 | S-SeriesSales@mfgautosys.com